

# FS Series

## DIN W48 × H48mm 8Pin plug Counter

### ■ Features

- Upgraded counting speed : 1cps / 30cps / 2kcps / 5kcps
- Decimal point setting (Fixed decimal point of display)
- Wide range of power supply : 100–240VAC 50/60Hz  
12–24VAC/DC (Option)
- Memory protection for 10years (Using non-volatile semiconductor)
- Selectable Up/Down for counting value
- Built-in Microprocessor



**⚠ Please read "Caution for your safety" in operation manual before using.**

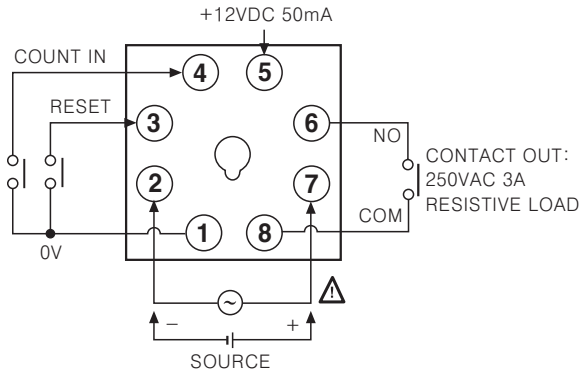
### ■ Specifications

Model		Single preset	FS4A	FS5B
		Totalizer(Indicator)	—	—
Digit			4	5
Digit size			W3.8 × H7.6mm	W4 × H8mm
Power supply			100–240VAC 50/60Hz, 12–24VAC/DC (Option)	
Allowable voltage range			90 ~ 110% of rated voltage	
Power consumption			<ul style="list-style-type: none"> <li>• Indicator : Approx. 4.7VA (240VAC 60Hz), Approx. 2.8W (24VDC), Approx. 4.5VA (24VAC 60Hz)</li> <li>• Single preset : Approx. 5.7VA (240VAC 60Hz), Approx. 3W (24VDC), Approx. 5.5VA (24VAC 60Hz)</li> </ul>	
Max. counting speed for CP1, CP2			Selectable 1cps/30cps/2kcps/5kcps by internal DIP switch	
Min. input signal width	RESET input		Approx. 20ms	
Input	COUNT IN		No-voltage input • Impedance at short-circuit : Max. 470kΩ • Residual voltage at short-circuit : Max. 1VDC • Impedance at open-circuit : Min. 100kΩ	
	RESET			
One-shot output time			0.05 ~ 5sec	
Control output	Contact	Type	SPST(1a)	—
		Capacity	250VAC 3A resistive load	—
Memory protection			10 years (When using non-volatile semiconductor memory)	
External power			12VDC ±10% 50mA max.	
Insulation resistance			100MΩ (at 500VDC mega)	
Dielectric strength			2000VAC 50/60Hz for 1 minute	
Noise strength	AC power		±2kV the square wave noise (pulse width: 1μs) by the noise simulator	
	DC power		±500V the square wave noise (pulse width: 1μs) by the noise simulator	
Vibration	Mechanical		0.75mm amplitude at frequency of 10 ~ 55Hz in each of X, Y, Z directions for 1 hour	
	Malfunction		0.5mm amplitude at frequency of 10 ~ 55Hz in each of X, Y, Z directions for 10 minutes	
Shock	Mechanical		300m/s <sup>2</sup> (Approx. 30G) in X, Y, Z directions 3 times	
	Malfunction		100m/s <sup>2</sup> (Approx. 10G) in X, Y, Z directions 3 times	
Relay life cycle	Mechanical		Min. 10,000,000 times	—
	Electrical		Min. 100,000 times (250VAC 3A at resistive load)	—
Ambient temperature			-10 ~ +55°C (at non-freezing status)	
Storage temperature			-25 ~ +65°C (at non-freezing status)	
Ambient humidity			35 ~ 85%RH	
Unit weight	AC power		Approx. 122g	Approx. 112g
	DC power		Approx. 130g	Approx. 120g

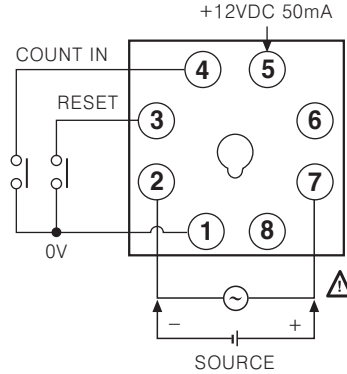
# 8 Pin Plug type Counter

## Connections

### FS4A

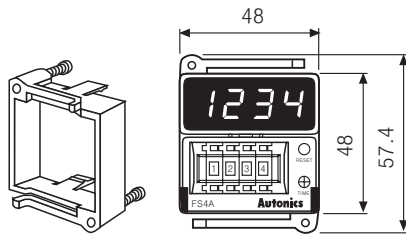


### FS5B

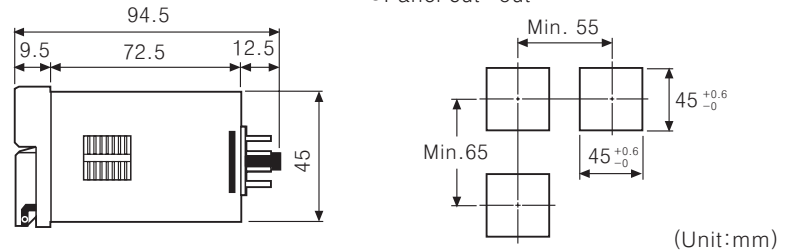


## Dimensions

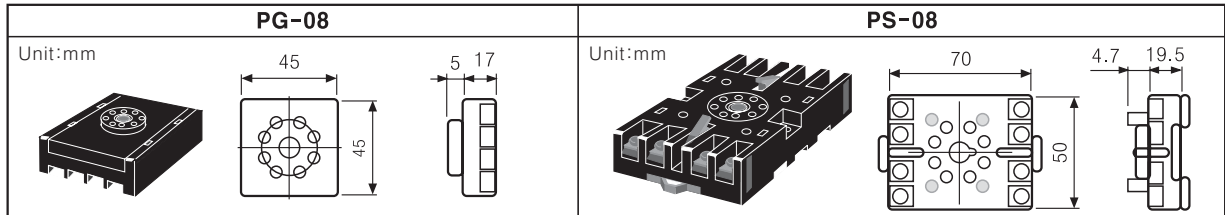
### Bracket



### Panel cut-out



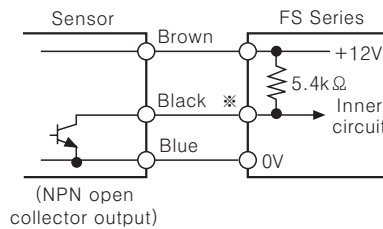
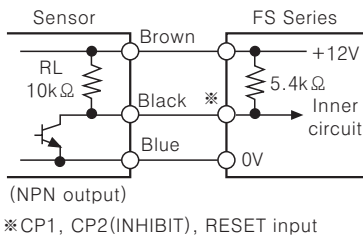
### Socket (Sold separately)



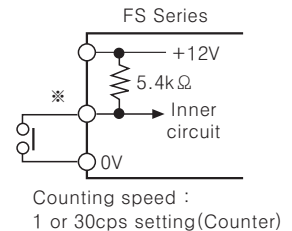
## Input connections

### No-voltage input (NPN)

#### Solid-state input (Standard input sensor : NPN output type sensor)



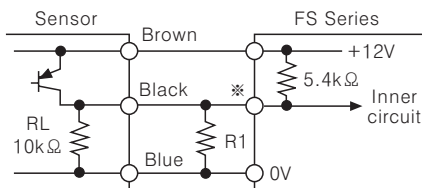
#### Contact input



### Voltage input (PNP)

FXY series is for no voltage input type, it is not available to count applying DC voltage from the external. For using PNP type sensor, please use as the following to count.

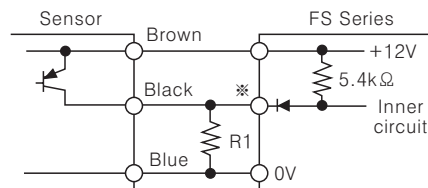
#### PNP output sensor



\*Please set R1 value to make the composed resistance of RL+R1 as Max. 470Ω is an impedance for short-circuit.

\*CP1, CP2(INHIBIT), RESET input

#### PNP open collector output type sensor



\*In case of PNP open collector output type sensor, please connect lower than 470Ω of R1 to input terminal before using.

(A) Counter

(B) Timer

(C) Temp. controller

(D) Power controller

(E) Panel meter

(F) Tacho/Speed/Pulse meter

(G) Display unit

(H) Sensor controller

(I) Switching power supply

(J) Proximity sensor

(K) Photo electric sensor

(L) Pressure sensor

(M) Rotary encoder

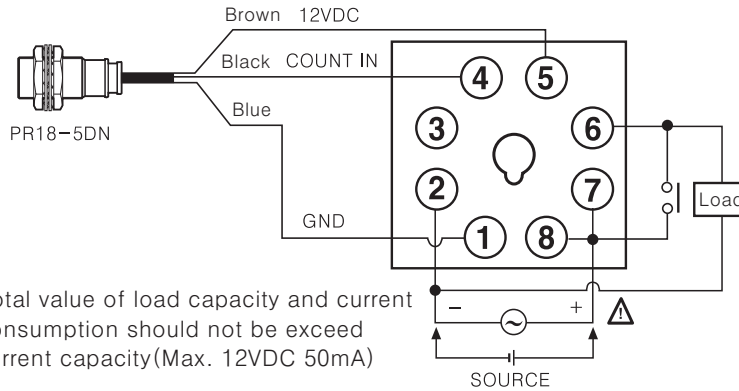
(N) Stepping motor & Driver & Controller

(O) Graphic panel

(P) Production stoppage models & replacement

# FS Series

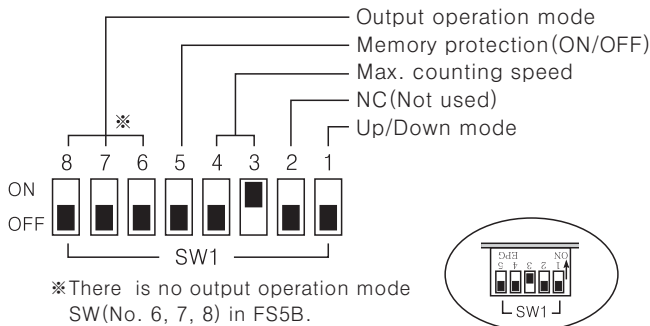
## ◎Input & output connections



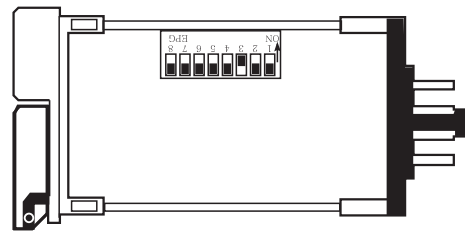
●Total value of load capacity and current consumption should not be exceed current capacity(Max. 12VDC 50mA)

●Please select proper capacity of load not to exceed contact capacity.  
Contact capacity : 250VAC 3A Max.  
Contact type : 1a

## ■ Selection by DIP switches



※There is no output operation mode SW(No. 6, 7, 8) in FS5B.



※The max. counting speed is upgraded as 8 DIP SW numbers.

### ●Max. counting speed

SW1	Function						
<table border="1"> <tr><td>3</td><td>4</td></tr> <tr><td>ON</td><td>OFF</td></tr> <tr><td>OFF</td><td>ON</td></tr> </table>	3	4	ON	OFF	OFF	ON	<b>1cps</b>
3	4						
ON	OFF						
OFF	ON						
<table border="1"> <tr><td>3</td><td>4</td></tr> <tr><td>ON</td><td>ON</td></tr> <tr><td>OFF</td><td>ON</td></tr> </table>	3	4	ON	ON	OFF	ON	30cps
3	4						
ON	ON						
OFF	ON						
<table border="1"> <tr><td>3</td><td>4</td></tr> <tr><td>ON</td><td>ON</td></tr> <tr><td>OFF</td><td>OFF</td></tr> </table>	3	4	ON	ON	OFF	OFF	2kcps
3	4						
ON	ON						
OFF	OFF						
<table border="1"> <tr><td>3</td><td>4</td></tr> <tr><td>ON</td><td>ON</td></tr> <tr><td>OFF</td><td>ON</td></tr> </table>	3	4	ON	ON	OFF	ON	<b>5kcps</b>
3	4						
ON	ON						
OFF	ON						

### ●Up/Down mode

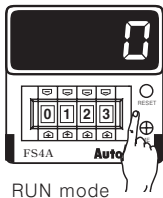
SW1	Function			
<table border="1"> <tr><td>1</td></tr> <tr><td>ON</td></tr> <tr><td>OFF</td></tr> </table>	1	ON	OFF	Down mode
1				
ON				
OFF				
<table border="1"> <tr><td>1</td></tr> <tr><td>ON</td></tr> <tr><td>OFF</td></tr> </table>	1	ON	OFF	Up mode
1				
ON				
OFF				

### ●Memory protection

SW1	Function			
<table border="1"> <tr><td>5</td></tr> <tr><td>ON</td></tr> <tr><td>OFF</td></tr> </table>	5	ON	OFF	Disable the memory protection
5				
ON				
OFF				
<table border="1"> <tr><td>5</td></tr> <tr><td>ON</td></tr> <tr><td>OFF</td></tr> </table>	5	ON	OFF	Enable the memory protection
5				
ON				
OFF				

## ■ Decimal point setting

Display the decimal point.

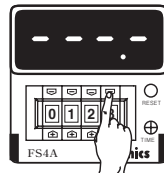


RUN mode

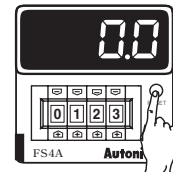
※Press RESET button for over 3sec., it advances to decimal point setting mode.



※When "dp" is flashing, one touch the Reset button.



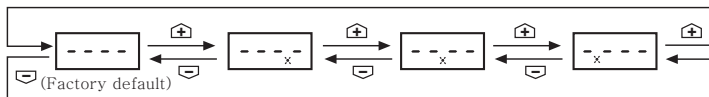
※Set the position of decimal point using  $\uparrow$ ,  $\downarrow$  button of digital switch.



Return to RUN mode

※Press RESET button for over 3sec., it returns to RUN mode.

### ●Changing the decimal point



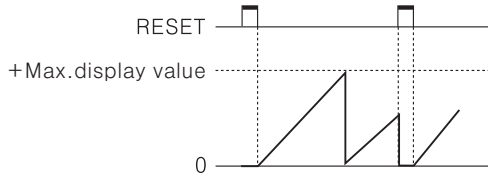
※It returns to RUN mode if no RESET button or digital switch is applied for 60sec. in decimal point setting status.

※The decimal point setting is existed in indication type.

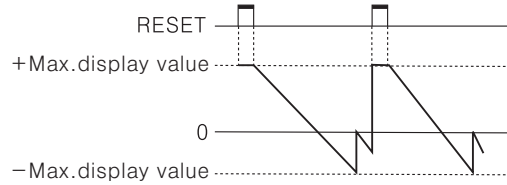
# 8 Pin Plug type Counter

## Counting operation of indication mode(Indication model)

●Up mode



●Down mode



## Output operation mode

		← One-shot output(0.05 ~ 5sec)	← Retained output	
Output mode (SW1)	ON  OFF	ON  OFF <b>Up mode</b>	ON  OFF <b>Down mode</b>	Operation after count up
<b>F</b>	ON  OFF			The display value continues until reset signal is applied then output is held. • Retained output will be maintained until Reset signal is applied.
<b>N</b>	ON  OFF			Display value and retained output are maintained until Reset signal is applied.
<b>C</b>	ON  OFF			The display value returns to reset start status when display value is reached to setting value.
<b>R</b>	ON  OFF			The display value is held until output is OFF then returns to reset start status.
<b>K</b>	ON  OFF			The display value continues until reset signal is applied.
<b>P</b>	ON  OFF			The display value is held during one-shot output time, counting process is returned to reset start status as soon as output is ON.
<b>Q</b>	ON  OFF			The display value continues during one-shot output time.
<b>S</b>	ON  OFF			<ul style="list-style-type: none"> <li>• Up input mode –Output is ON when (Display value) <math>\geq</math> (Setting value)</li> <li>• Down input mode –Output is ON when (Display value) <math>\leq</math> (Zero)</li> </ul>

\*One-shot output time is set by front TIME adjuster.

(A) Counter

(B) Timer

(C) Temp. controller

(D) Power controller

(E) Panel meter

(F) Tacho/Speed/Pulse meter

(G) Display unit

(H) Sensor controller

(I) Switching power supply

(J) Proximity sensor

(K) Photo electric sensor

(L) Pressure sensor

(M) Rotary encoder

(N) Stepping motor & Driver & Controller

(O) Graphic panel

(P) Production stoppage models & replacement

# FS Series

## ■ Proper usage

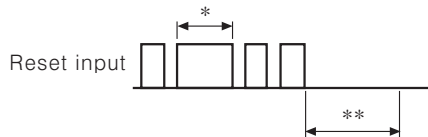
### ◎ Reset function

#### ● Reset

In case of changing the input mode after supplying the power, please take a external reset or manual reset. **If reset is not executed, the counter will be working as previous mode.**

#### ● Reset signal width

It is reset perfectly when the reset signal is applied during **min. 20ms** regardless of the contact input & solid-state input.



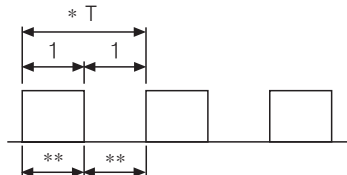
\*In case of a contact reset, it is reset perfectly if the ON time of reset signal is applied during min. 20ms even though chattering is occurred.

\*\*It can be input the signal of CP1&CP2 after min. 50ms from closing time of reset signal.

### ◎ Sensor power

The power 12VDC which is provided to sensor is built in it. Please use it under Max. 50mADC.

### ◎ Min. signal width of CP1, CP2 input



\*Please make duty ratio(ON/OFF) 1:1.

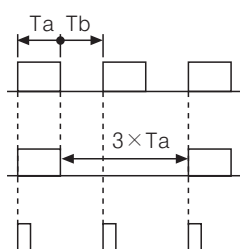
\*\* Min. signal width

- 1cps : Max. 0.5sec
- 30cps : Max.16.7ms
- 2kcps : Max. 0.25ms
- 5kcps : Max.0.1ms

### ◎ Max. counting speed

This is a response speed per 1 sec. when the duty ratio (ON:OFF) of input signal is 1:1. If the duty ratio is not 1:1, the width between ON and OFF should be over min. signal width and the response speed is getting slower against input signal.

If either ON or OFF signal is shorter than minimum signal width, this product may not respond.



Therefore Ta(ON width) and Tb(OFF width) needed to be over min.signal width.

Max. counting speed is 1/2 value of catalog spec. when duty ratio is 1:3.

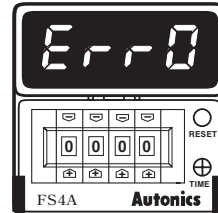
It can not respond because Max. signal width(1a) is little.

### ◎ Error display

Error signal	Error description	Returning method
Err0	Zero setting status	Change the setting value to non zero status

\*When Error is displayed, the output continues OFF state.

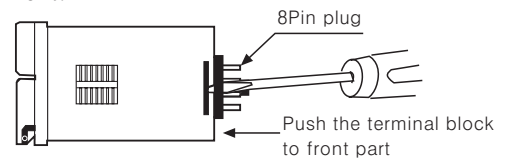
\*There is no Error function in indicator.



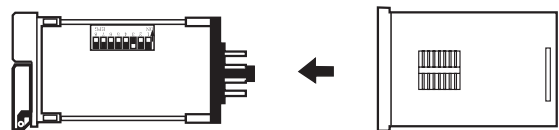
### ◎ Detach the case from body

While pushing the Lock part with with driver to the front, push the terminal block.

1)Widen the lock device toward outside, push the plug to the front.



2)Detach the case.



\*Please be careful to use with tools, it may cause injury.

### ◎ Power

The inner circuit voltage starts to rise up for the first 100ms after power on, the input may not work at this time. And also the inner circuit voltage drops down for the last 500ms after power off, the input may not work at this time.

